

**WEIR – VERTICAL**

**CUSTOMER INFORMATION**

Company:			
Requested by:			
Tel.:	Fax:	E-mail:	
Project name:			Project N°:
Location:		City / State / Country:	

**(\*) MACCAFERRI INFORMATION**

Originating Office:	
Area Manager:	Project N°:

**(\*) DESIGN LEVEL**

**STANDARD REQUIRED**

Level 1 (Conceptual Proposal)	Level 2 (Preliminary Suggestion)	Level 3 (Final Design)
-------------------------------	----------------------------------	------------------------

--

**WATER COURSE AND WEIR PARAMETERS**

River data			Soil data			Soil type		
Design discharge (Q)		m <sup>3</sup> /s	Soil description			Fine sand		
River bed gradient (i)		%	Soil unit weight		kN/m <sup>3</sup>	Coarse sand		
Bank top elevation (f <sub>p</sub> )		m	Soil friction		°	Gravel		
Channel width (L <sub>c</sub> )		m	Bligh coefficient			Sandy clay		
Left bank slope (θ <sub>1</sub> )		°	<b>Gabions data</b>			Silt		
Right bank slope (θ <sub>2</sub> )		°				Rockfill unit weight		
River granulometry		mm	Porosity				%	
Roughness coefficient (n)		m <sup>-1/3</sup> s	Under pressure influence				%	
			Foundation soil					

**MAIN STRUCTURE**

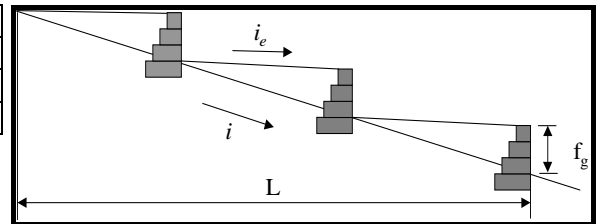
Weir geometry		
Crest width (L <sub>g</sub> )		m
Crest elevation (f <sub>g</sub> )		m
Foundation depth.		m

**STILLING POOL**

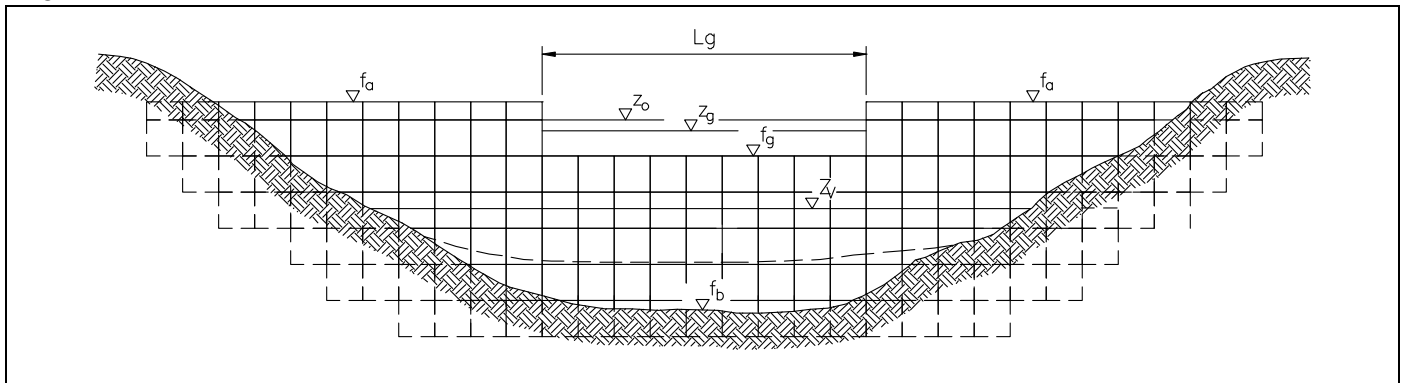
Counterweir			Stilling basin lining		
Elevation (f <sub>c</sub> )		m	Elevation		m
Pool length		m	Thickness		m
			Width		m

**DESIGN OF SUCCESSIVE WEIRS FOR GRADE CONTROL**

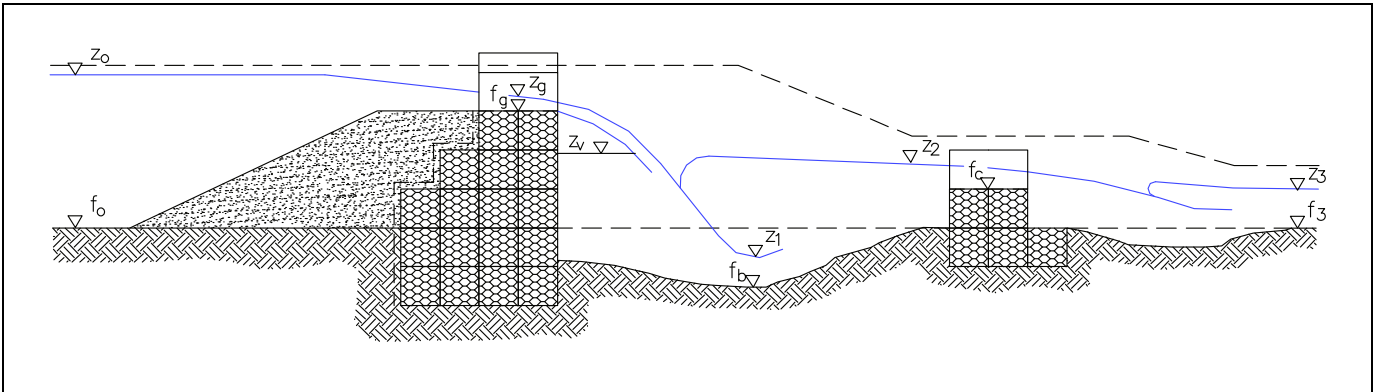
Total horizontal reach length (L)		m
Original river gradient (i)		%
Proposed new gradient (i <sub>e</sub> )		%
Weir crest height (f <sub>g</sub> )		m



**FRONT VIEW**



**TYPICAL SECTION**



**PROJECT DESCRIPTION**

**(\*) MACCAFERRI SUGGESTIONS (AREA MANAGER)**

**(\*) ADDITIONAL INFORMATION**

Section to be calculated	Section to be drawn	Only drawing without calculation	Maccaferri specs for drawings	Drawing template	Plan	Elevation	Bill of quantities
_____	_____	<input type="checkbox"/> Yes <input type="checkbox"/> No	<input type="checkbox"/> Yes <input type="checkbox"/> No	<input type="checkbox"/> Yes <input type="checkbox"/> No	<input type="checkbox"/> Yes <input type="checkbox"/> No	<input type="checkbox"/> Yes <input type="checkbox"/> No	<input type="checkbox"/> Yes <input type="checkbox"/> No

Attachments:	File name:
Photos	_____
Site Investigations	_____
Drawings	_____

(\*) For Maccaferri use only.

**Maccaferri SA (Pty) Ltd**

HEAD OFFICE - DURBAN, SOUTH AFRICA  
P O Box 15777, Westmead, 3608 Tel: +27-31-700 8456 Fax: +27-31-700 8469 e-mail: dbnsales@maccaferri.co.za  
JOHANNESBURG, SOUTH AFRICA  
P O Box 2285, North Riding, 2162 Tel: +27-11-704 0160 Fax: +27-11-704 0159 e-mail: jhbsales@maccaferri.co.za  
CAPE TOWN, SOUTH AFRICA  
P O Box 22150, Fish Hoek, 7974 Tel: +27-21-702 1416 Fax: +27-21-702 2977 e-mail: cptsales@maccaferri.co.za  
MADAGASCAR  
BP 168 Antananarivo 101, Madagascar Tel: +261-20-22-231 02 Fax: +261-20-22-553 90 e-mail: maccaferri@moov.mg

[www.maccaferri.co.za](http://www.maccaferri.co.za)

